

# LTG Solutions for Aviation

## Brake Cooling System Type BCS 315 / A380-B777



### Quick and Efficient Brake Cooling

- Quick cooling within a few minutes.
- Can be used for aeroplanes of type A380 and B777.
- Low-noise operation.
- Compact and ergonomic design.
- Can be used flexibly mobile and without any wires.
- Energy supply via rechargeable batteries.
- Customer-specific solutions on request.

# LTG Brake Cooling System Type BCS 315 / A380-B777

## Use / Function

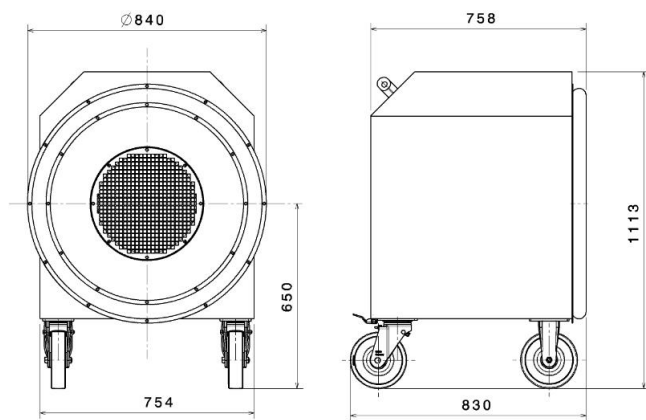
The compact LTG Brake Cooling System was especially developed to cool the brakes at the undercarriage of aeroplanes, specifically the types Airbus A380 and Boeing B777.

For efficient cooling, the BCS is placed right at the braked wheel.

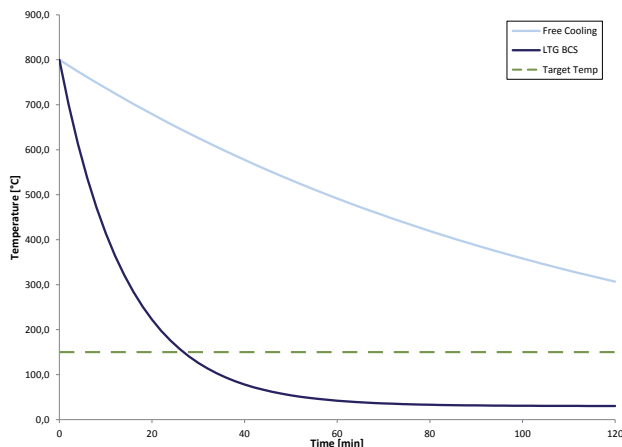
The BCS cools the brake components with the integrated LTG high-performance fan through the rim openings.

The air outlet at the BCS is beneficially pointing down so that unimpaired and low-noise work below the airplane is ensured.

The cooling process of the brake discs is considerably accelerated with the BCS. Within a very short time, the aeroplane is ready to take off again.



Dimensions



Cooling curve

## Design

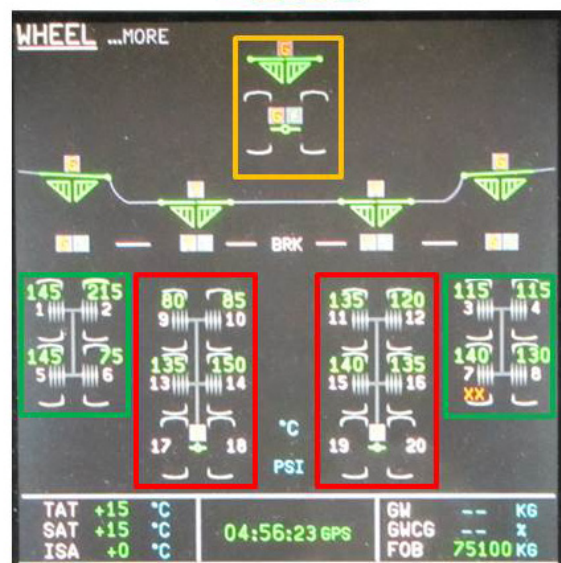
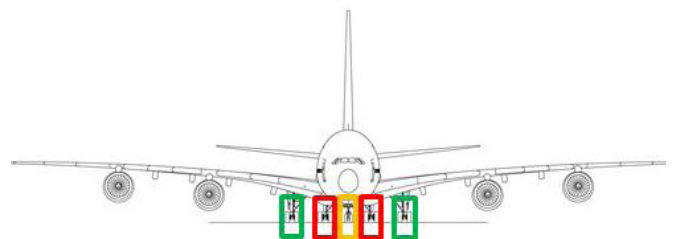
The mobile unit is delivered installed completely in an aluminium housing with two casters and blocking rollers. The casters and installed brakes serve safe positioning. The light-weight design permits simple and ergonomic operation: easy movement and guidance in a compatible posture.

The main component is an LTG high-performance cooling fan.

For energy supply, the BCS has rechargeable batteries with a charger and cables as well as a charge condition display.

## Technical Data

- Motor rated output: 0,25 kW
- Operating / control voltage: 24V
- Power supply: 230 V, 50 Hz, 1,7 A
- Ambient temperature: -5 °C bis +50 °C
- Weight: 140 kg
- Sound level at 1m distance: < 70 dB(A)
- Operating time: 4 h



Cooling details